



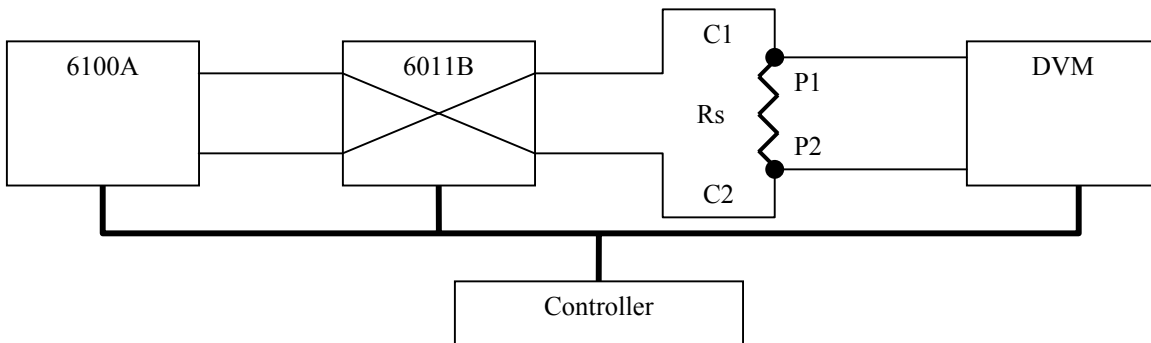
Model 6011B Automated 100 Amp Range Extender

*100 Amp Capability
Self-Balancing
10:1, 100:1, 1000:1 Ratios
Improved Speed*

General Description:

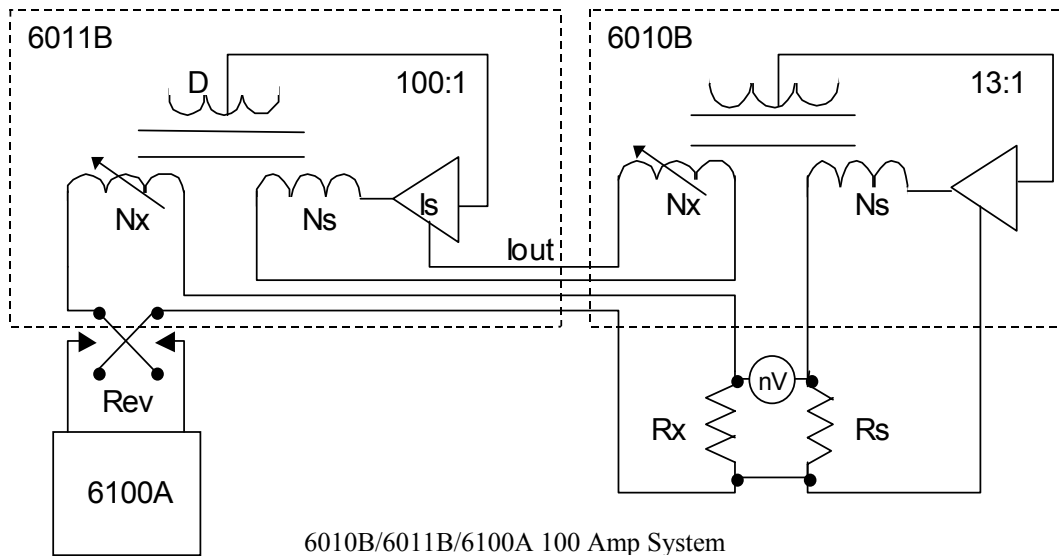
The 6011B is a precision DC Current Range Extender. Using innovative technological improvements to the direct current comparator, the linearity specification has been improved to less than 0.1 ppm over its entire range.

The 6011B can be used as a stand-alone unit for dividing high currents down to workable levels. The 6011B also includes, a built-in, 100A Reversing Switch. The system can be automated using a controller, a Model 6100A DC power Supply and DVM to measure the voltage across a standard resistor. Full-scale output current of the 6011B is 100 mA on all ranges.



The 6011B Range Extender may also be used in conjunction with MI's Model 6010B Resistance Bridge and 6100A DC Power Supply. The Model 6010B/6011B/6100A provides automated, accurate measurements from .0001 Ohm to 0.100 Ohm directly against a 1-Ohm primary standard automatically.

Model 6011B



Specifications:

| | |
|------------------------|---------------------------------|
| Ratio | 1000:1, 100:1, 10:1 |
| Maximum Input Current | 100 A, 10 A, 1 A |
| Maximum Output Current | 100 mA |
| Linearity | < 0.1 ppm for all ratios |
| Accuracy | < 0.1 ppm |
| Current Resolution | < .05 ppm of Full Scale Current |
| Output Compliance | 10V DC |
| Operating Environment | 18 to 34°C, 10 to 80% RH |
| Warranty | 1 Year Parts & Labor |

Dimensions:

265 x 439 x 380 mm

Weight:

20 kg

Shipping Weight:

24 kg

Accessories:

6100A
100 Amp Cable

Operating Power:

100, 120, 220, 240V - 50/60 Hz

Distributed By:

How to Order:

Model 6011B - 100 Amp Range Extender

Data Subject to Change

Printed in Canada



Measurements International

118 Pirelli Dr., PO Box 2359, Prescott, Ontario, Canada K0E 1T0
Ph. 613.925.5934 • Fx. 613.925.1195 • North America: 1.800.324.4988

Form MI 67, Rev. 1, Dated 01-11-15 (QAP 19, App. "O")