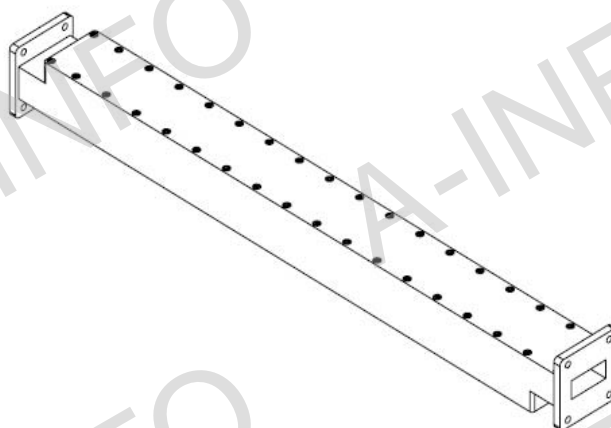
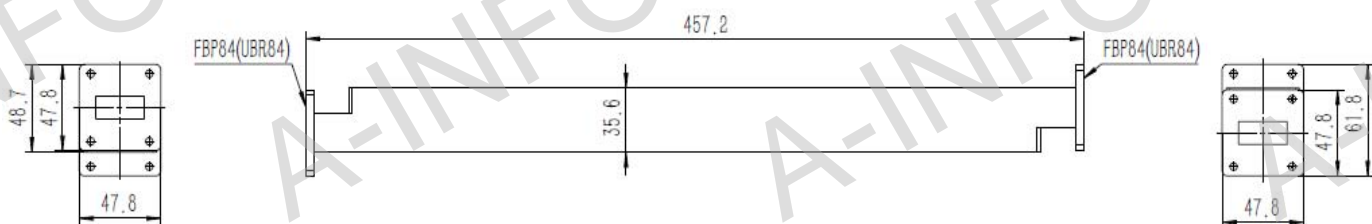


## Technical Specification

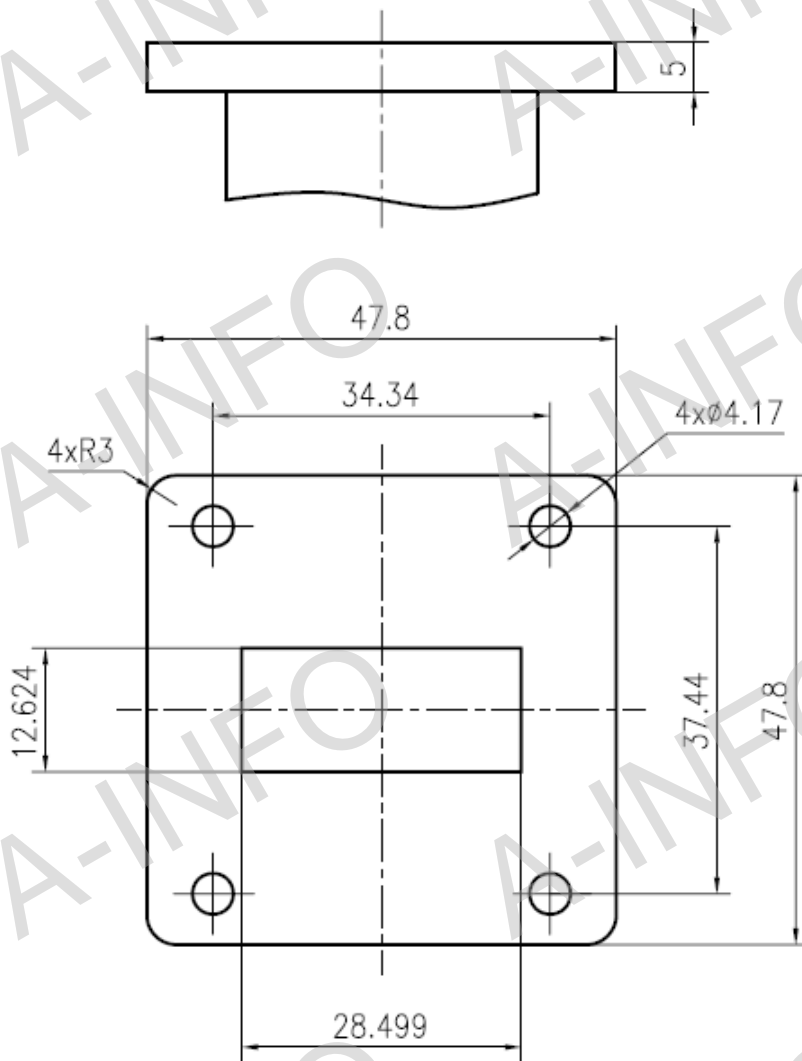


EIA WR	WR112
Frequency Range(GHz)	7.05-10.0
Attenuation(dB)	10
Attenuation Accuracy(dB)	±0.9 Max.
Attenuation Sensitivity(dB)	±0.7 Max.
VSWR	1.15:1 Max.
Average Power(W)	1.5 CW
Peak Power(KW)	1.5
Flange	FBP84(UBR84)
Material	Al
Size(mm)	457.2 x 47.8 x 61.8
Net Weight(Kg)	1.08 Around

## Outline Drawing (Size: mm)



## Flange Drawing (Size: mm)



FBP84

## Test Result

Trc1 S11 SWR 100 mU/ Ref:1 U Cal Trc2 S21 dB Mag 0.9 dB/ Ref:-10 dB Cal 1 (Max)  
 Trc3 S21 dB Mag 0.9 dB/ Ref:-10 dB Cal Trc4 S22 SWR 100 mU/ Ref:1 U Cal

