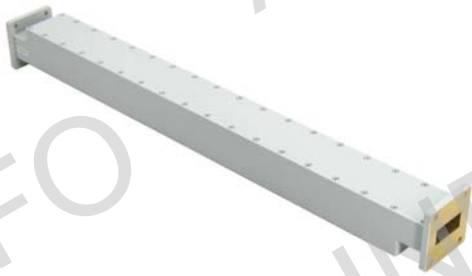
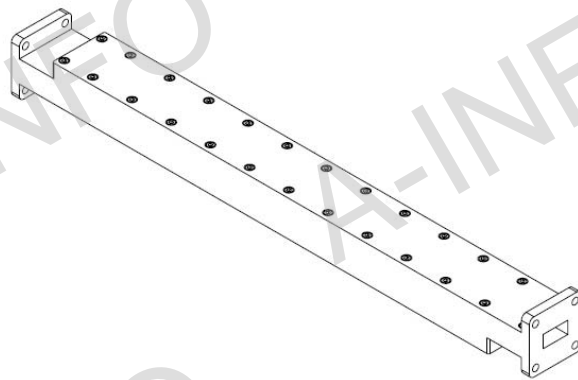
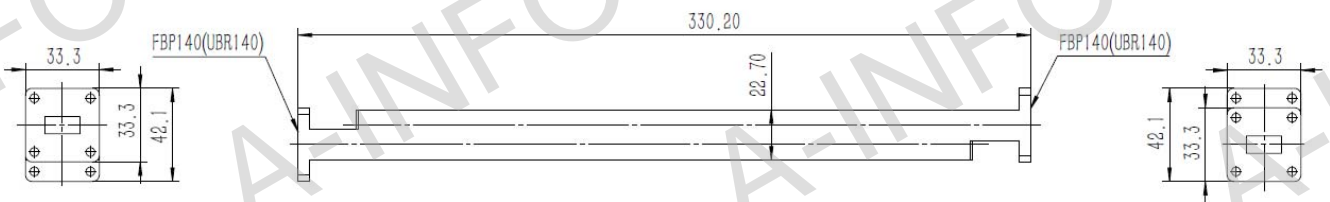


Technical Specification

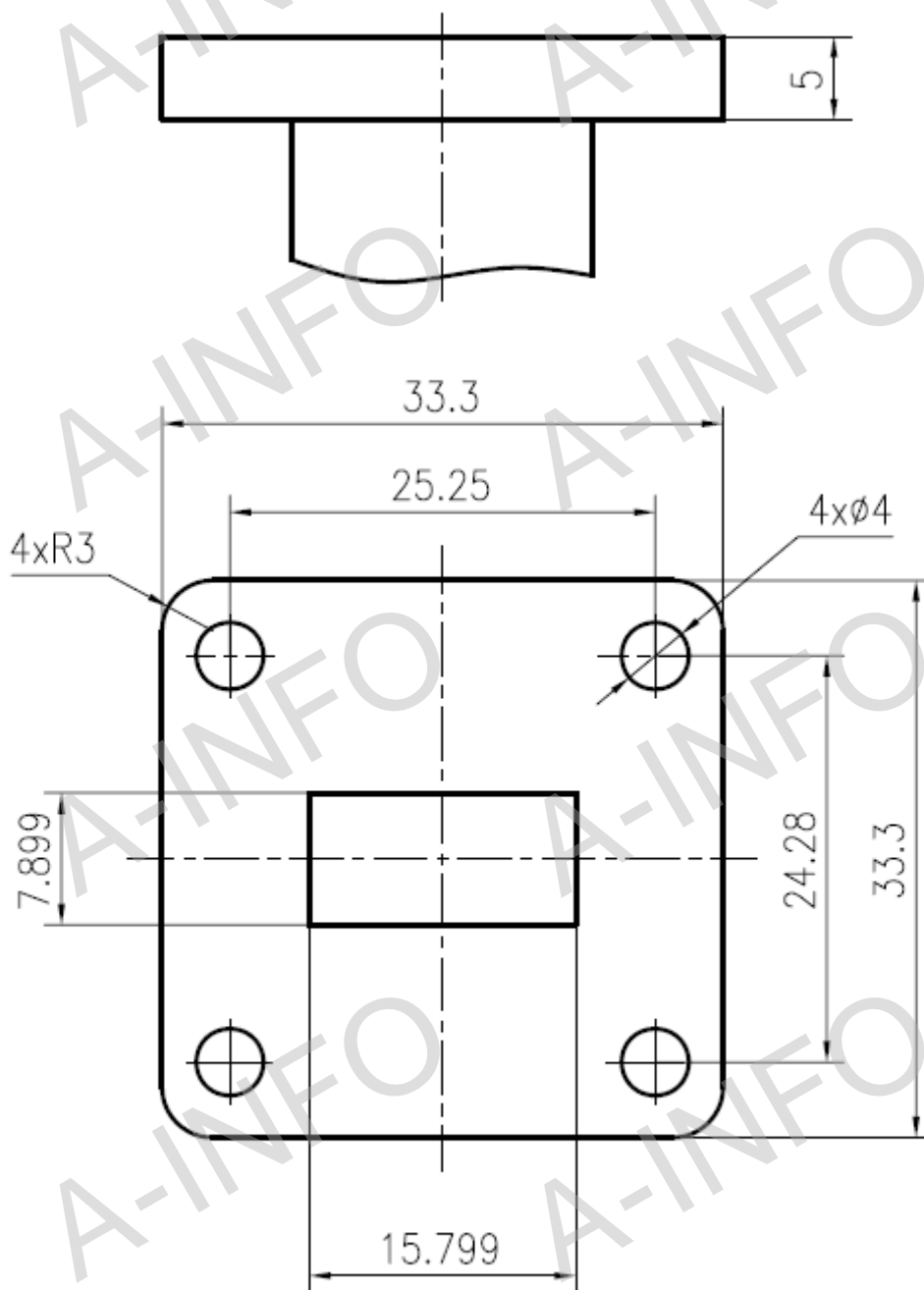


EIA WR	WR62
Frequency Range(GHz)	12.4-18.0
Attenuation(dB)	30
Attenuation Accuracy(dB)	±0.9 Max.
Attenuation Sensitivity(dB)	±0.7 Max.
VSWR	1.1:1 Max.
Average Power(W)	1.5 CW
Peak Power(KW)	1.5
Flange	FBP140(UBR140)
Material	Al
Size(mm)	330.2 x 33.3 x 42.1
Net Weight(Kg)	0.5 Around

Outline Drawing (Size: mm)



Flange Drawing (Size: mm)



FBP140

Test Results

Attenuation & VSWR

