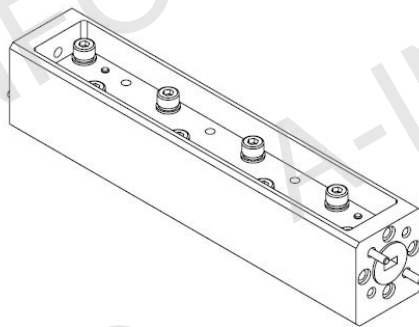
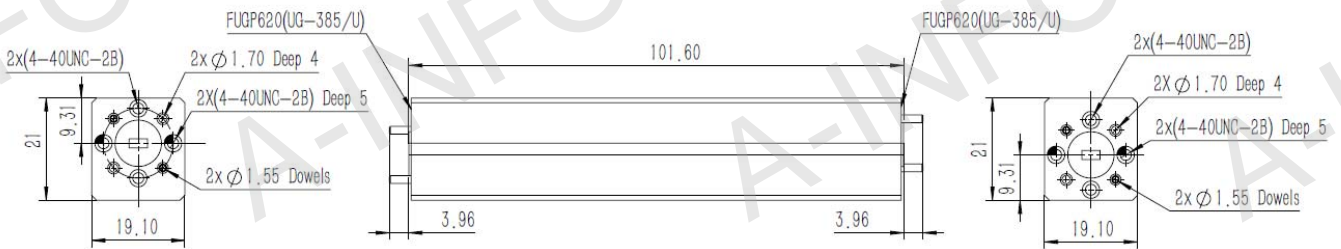


Technical Specification

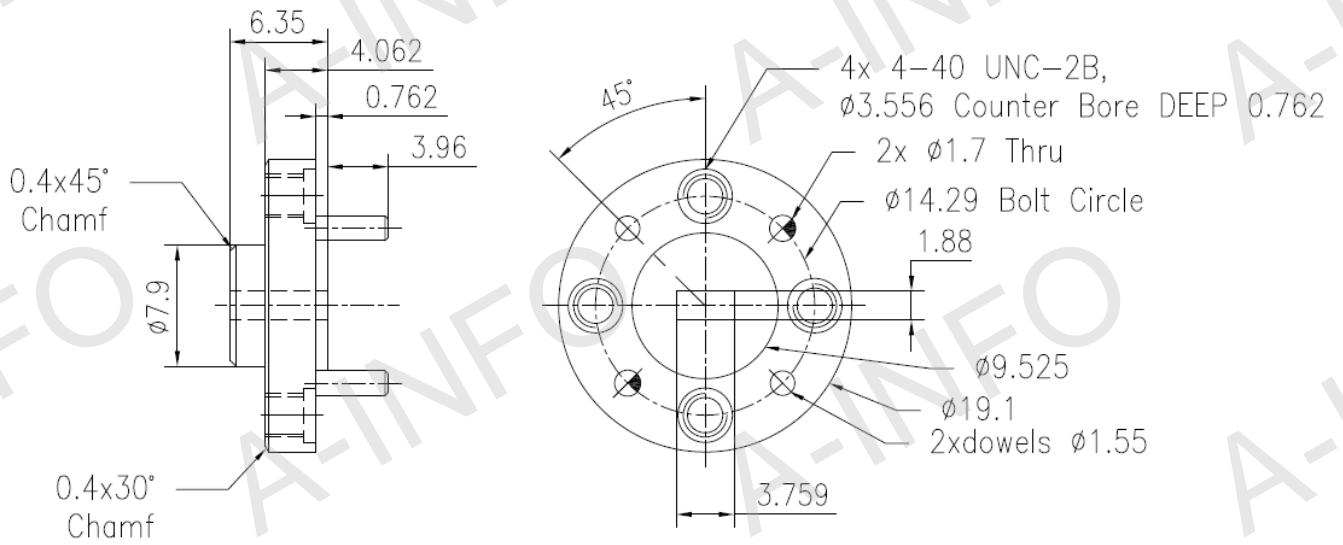


EIA WR	WR15
Frequency Range(GHz)	50.0 - 75.0
Attenuation(dB)	6
Attenuation Accuracy(dB)	±1.3 Max.
Attenuation Sensitivity(dB)	±0.9 Max.
VSWR	1.15:1 Max.
Average Power(W CW)	0.3
Peak Power(KW)	0.1
Flange	FUGP620(UG-385/U)
Material	Cu
Size(mm)	101.6 x 19.1 x 21.0
Net Weight(Kg)	0.16 Around

Outline Drawing (Size: mm)



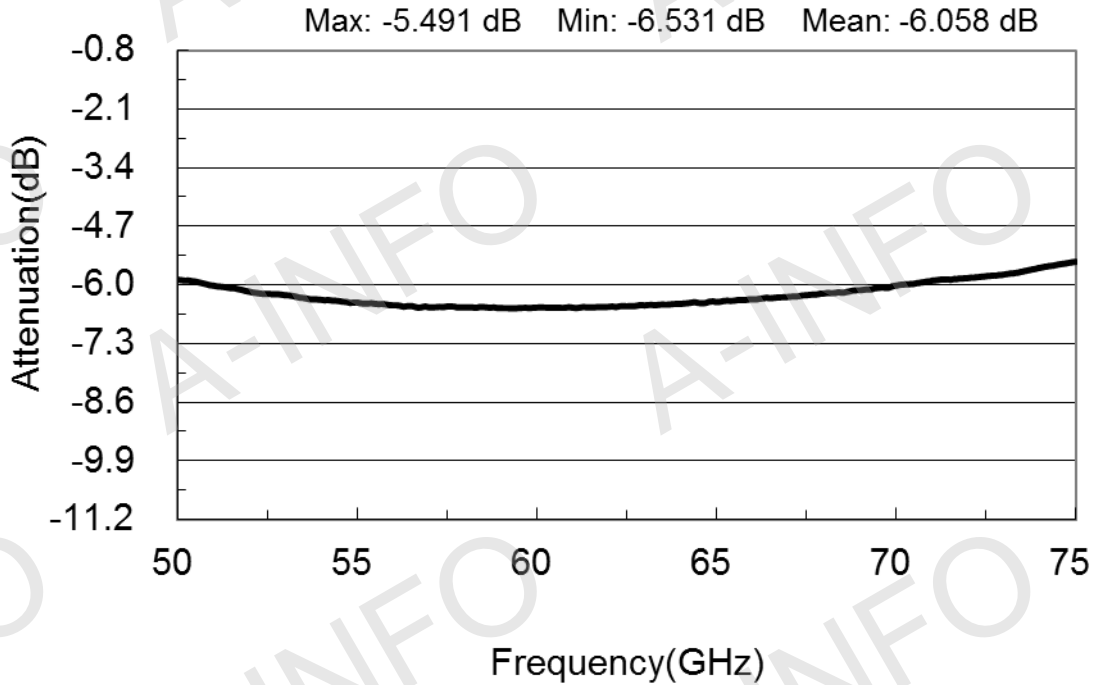
Flange Drawing (Size: mm)



FUGP620
(equivalent to UG-385/U)

Test Results

Attenuation



VSWR

