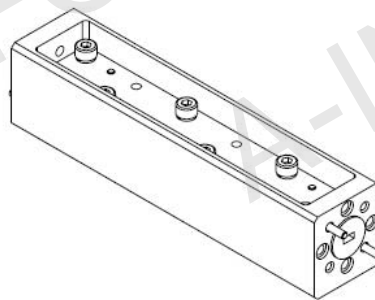
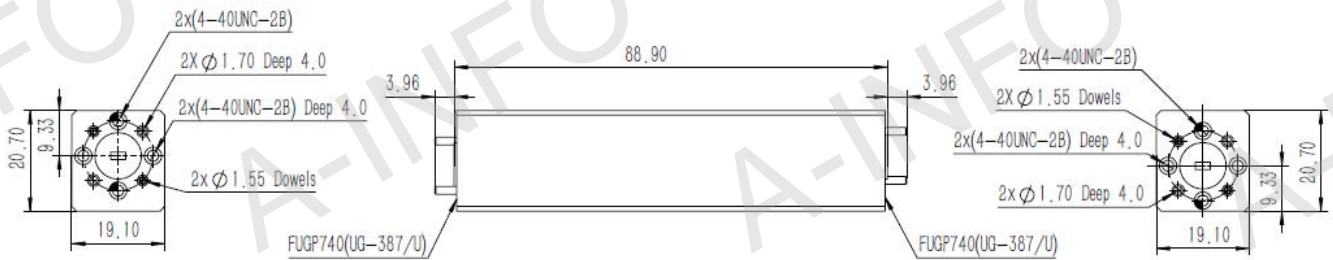


## Technical Specification



Frequency Range(GHz)	60.0-90.0
Waveguide	WR12
Attenuation(dB)	20
Attenuation Accuracy(dB)	±1.3 Max.
Attenuation Sensitivity(dB)	±0.9 Max.
VSWR	1.15 Max.
Average Power(W)	0.2 CW
Peak Power(KW)	0.03
Flange	FUGP740 (UG-387/U)
Material	Cu
Net Weight(Kg)	0.16 Around

## Outline Drawing (Size: mm)



AINFO Inc.

Page 1 of 2

China(Beijing):  
China(Chengdu):  
USA :

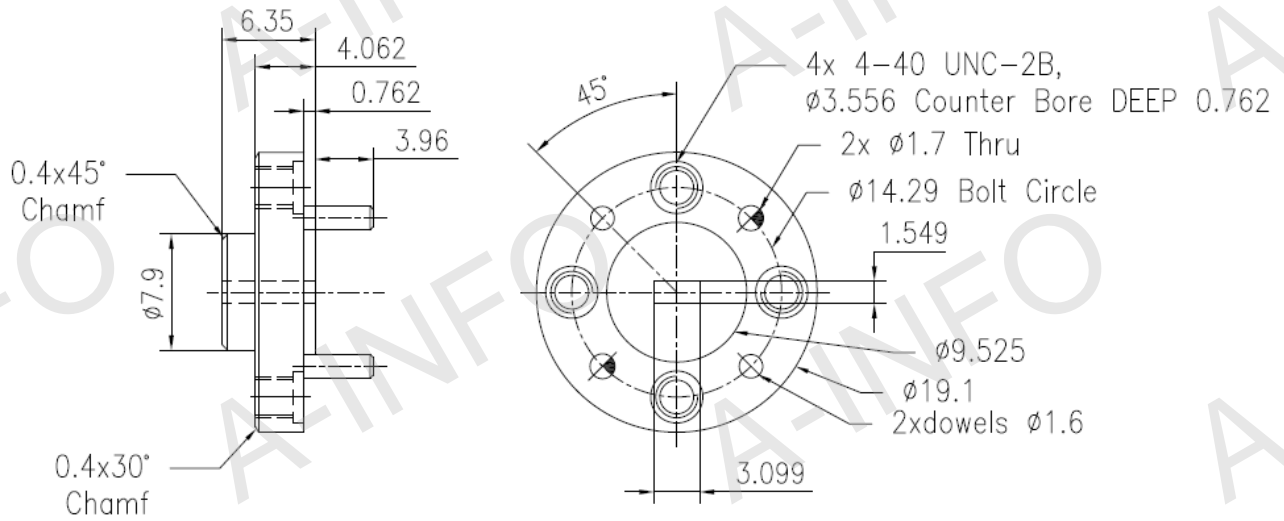
Tel: (+86) 10-6266-7326,  
Tel: (+86) 28-8519-2786,  
Tel: (+1) 949-639-9688,

(+86) 10-6266-7327  
(+86) 28-8519-3044  
(+1) 949-639-9608

Fax: (+86) 10-6266-7379  
Fax: (+86) 28-8519-3068  
Fax: (+1) 949-639-9670

Website: [www.ainfoinc.com](http://www.ainfoinc.com)  
Email: [sales@ainfoinc.com](mailto:sales@ainfoinc.com)

## Flange Drawing (Size: mm)



FUGP740  
(equivalent to UG-387/U)

## Test Results

