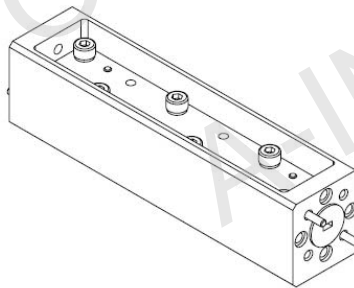
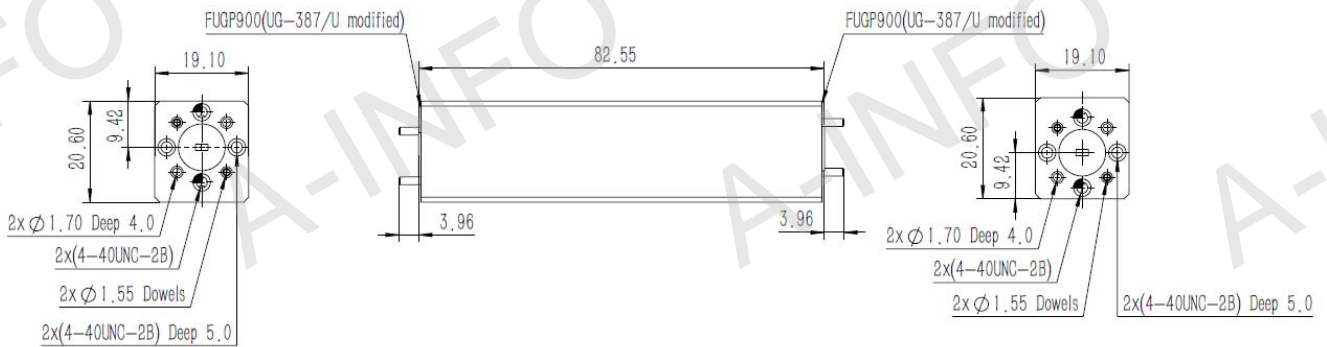


Technical Specification



| | |
|-----------------------------|--------------------------------|
| Waveguide | WR10 |
| Frequency Range(GHz) | 75.0-110.0 |
| Attenuation(dB) | 20 |
| Attenuation Accuracy(dB) | ±1.3 Max. |
| Attenuation Sensitivity(dB) | ±0.9 Max. |
| VSWR | 1.15:1 Max. |
| Average Power(W) | 0.2 CW |
| Peak Power(KW) | 0.03 |
| Flange | FUGP900 (UG-387/U modified) |
| Material | Cu |
| Net Weight(Kg) | 0.14 Around |

Outline Drawing (Size: mm)



AINFO Inc.

Page 1 of 2

China(Beijing):
China(Chengdu):
USA :

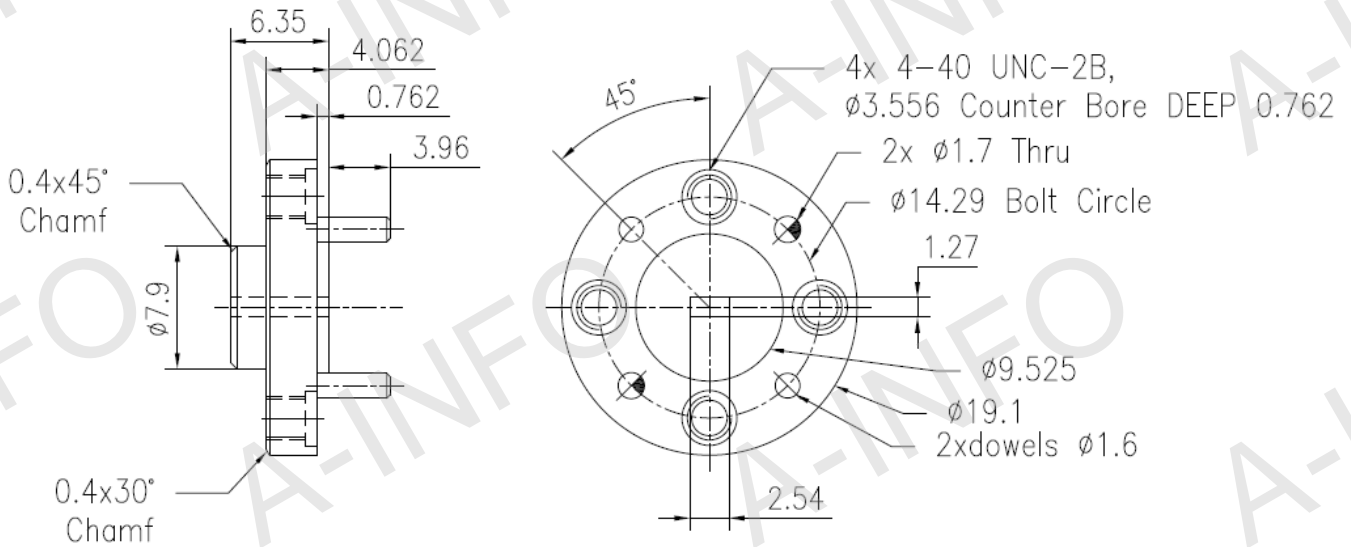
Tel: (+86) 10-6266-7326,
Tel: (+86) 28-8519-2786,
Tel: (+1) 949-639-9688,

(+86) 10-6266-7327
(+86) 28-8519-3044
(+1) 949-639-9608

Fax: (+86) 10-6266-7379
Fax: (+86) 28-8519-3068
Fax: (+1) 949-639-9670

Website: www.ainfoinc.com
Email: sales@ainfoinc.com

Flange Drawing (Size: mm)



FUGP900
(equivalent to UG-387/U modified)

Test Results

