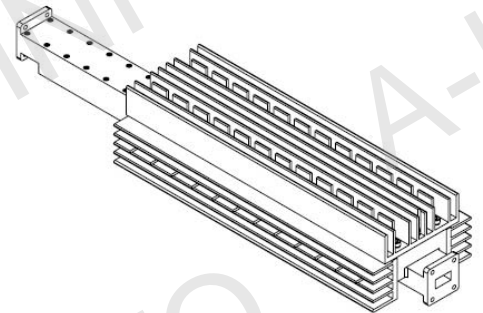
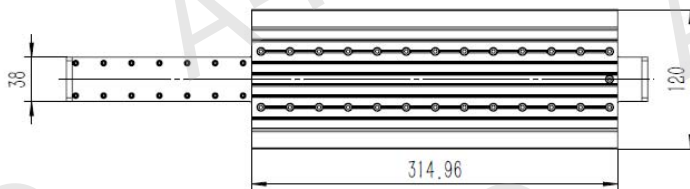
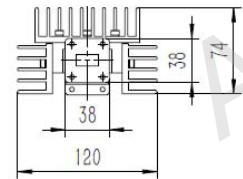
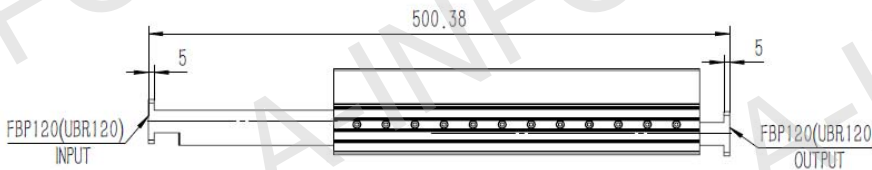


Technical Specification

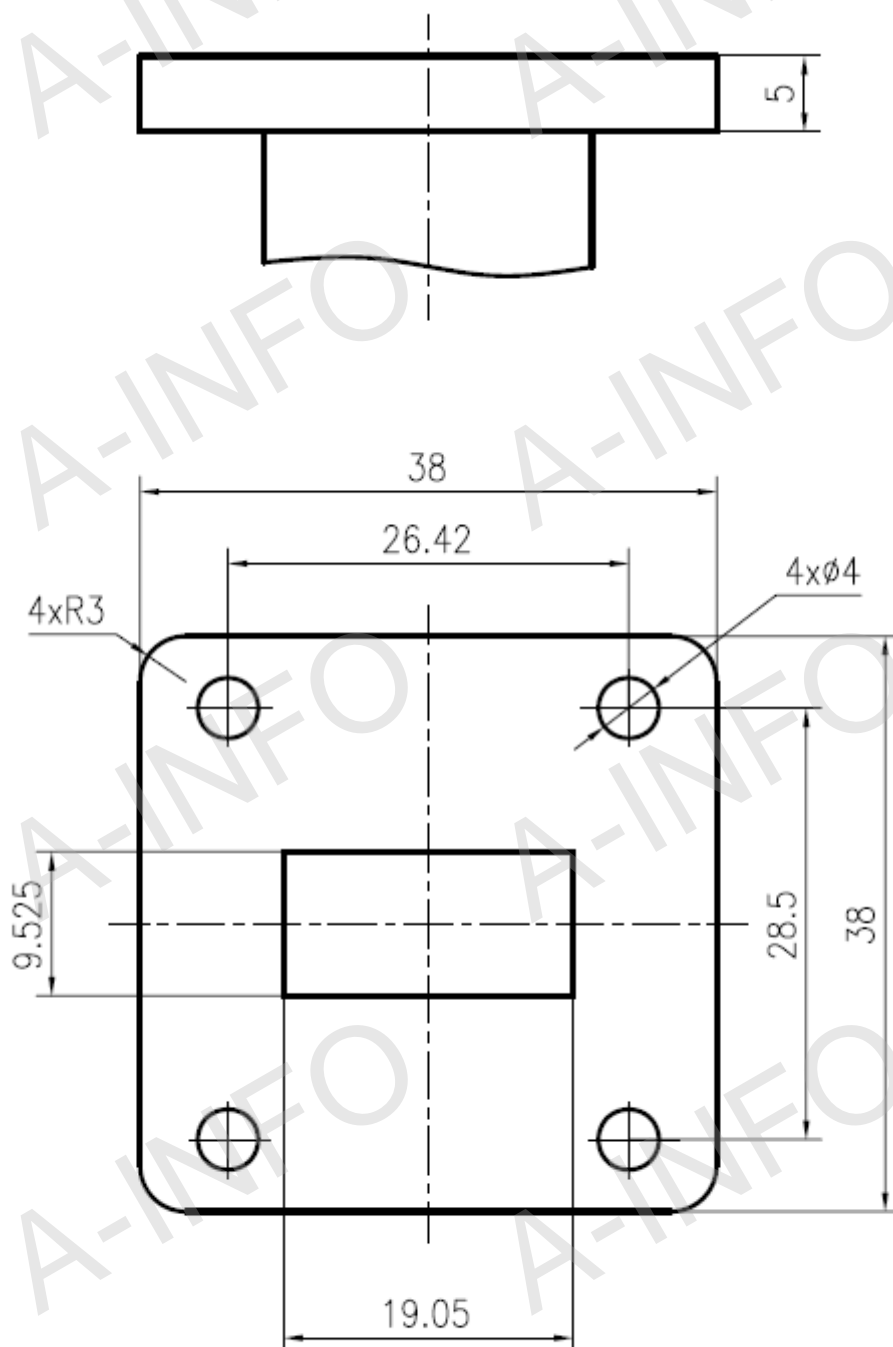


EIA WR	WR75
Frequency Range(GHz)	10.0 - 15.0
Attenuation(dB)	50
Attenuation Accuracy(dB)	±0.9 Max.
Attenuation Sensitivity(dB)	±0.7 Max.
VSWR	1.10:1 Max.
Average Power(W)	1000 CW
Peak Power(KW)	200
Flange	FBP120(UBR120)
Material	Al
Size(mm)	500.38 x 120 x 74
Net Weight(Kg)	3.55 Around

Outline Drawing (Size: mm)



Flange Drawing (Size: mm)



FBP120

AINFO Inc.

Page 2 of 3

China(Beijing):
China(Chengdu):
USA :

Tel: (+86) 10-6266-7326,
Tel: (+86) 28-8519-2786,
Tel: (+1) 949-639-9688,

(+86) 10-6266-7327
(+86) 28-8519-3044
(+1) 949-639-9608

Fax: (+86) 10-6266-7379
Fax: (+86) 28-8519-3068
Fax: (+1) 949-639-9670

Website: www.ainfoinc.com
Email: sales@ainfoinc.com

Test Results

Attenuation & VSWR

