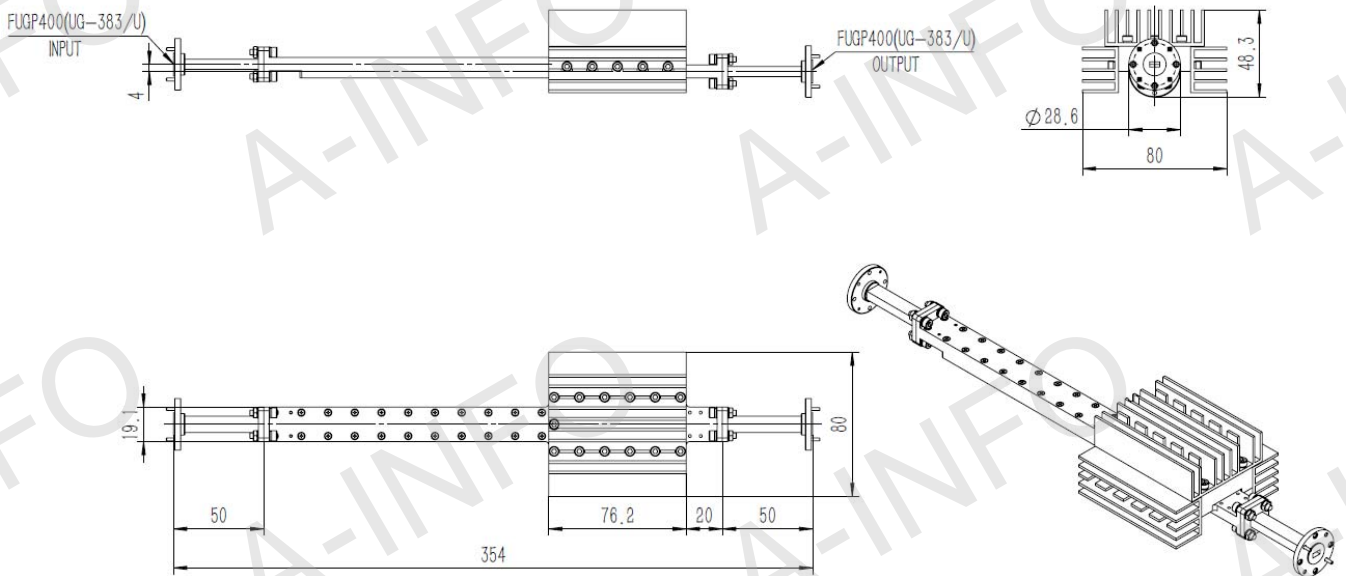


## Technical Specification

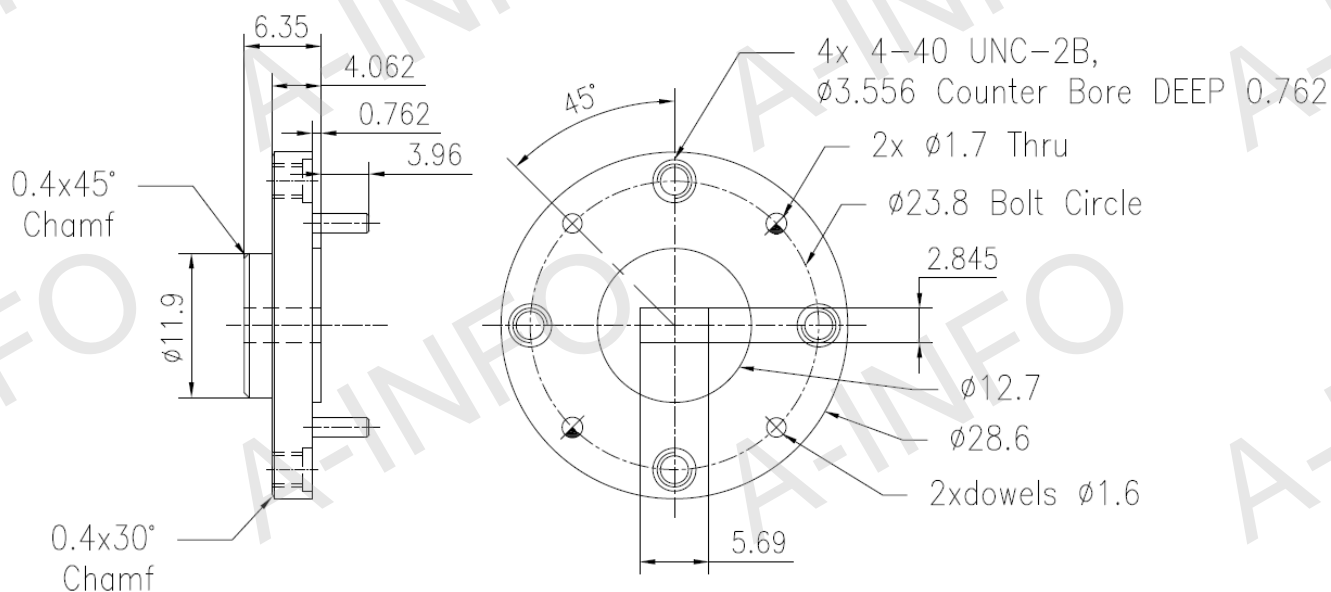


EIA WR	WR22
Frequency Range(GHz)	33.0 - 50.0
Attenuation(dB)	20
Attenuation Accuracy(dB)	±2 Max.
Attenuation Sensitivity(dB)	±2 Max.
VSWR	1.2:1 Max.
Average Power(W)	100 CW
Peak Power(KW)	50
Flange	FUGP400(UG-383/U)
Material	Al
Size(mm)	354 x 80 x 48.3
Net Weight(Kg)	0.45 Around

## Outline Drawing (Size: mm)



## Flange Drawing (Size: mm)



FUGP400  
(equivalent to UG-383/U)

## Test Result

### Attenuation & VSWR

