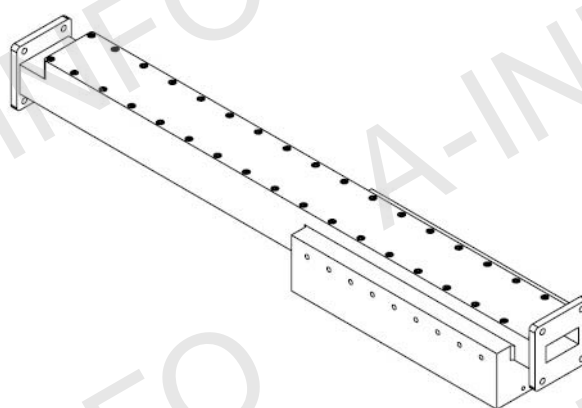
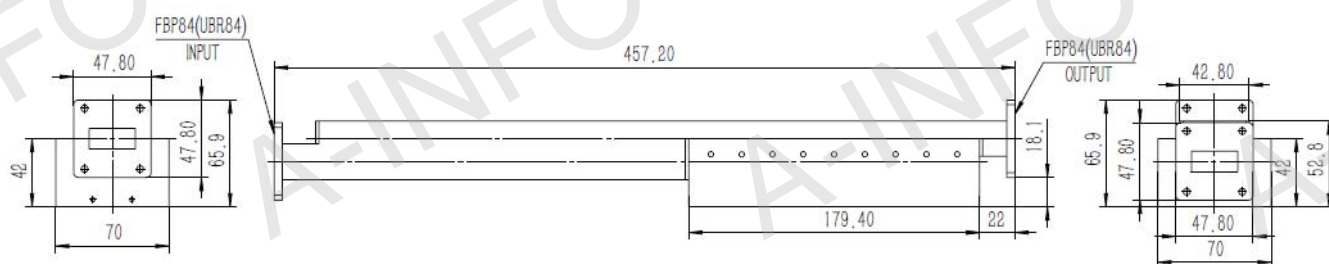


Technical Specification

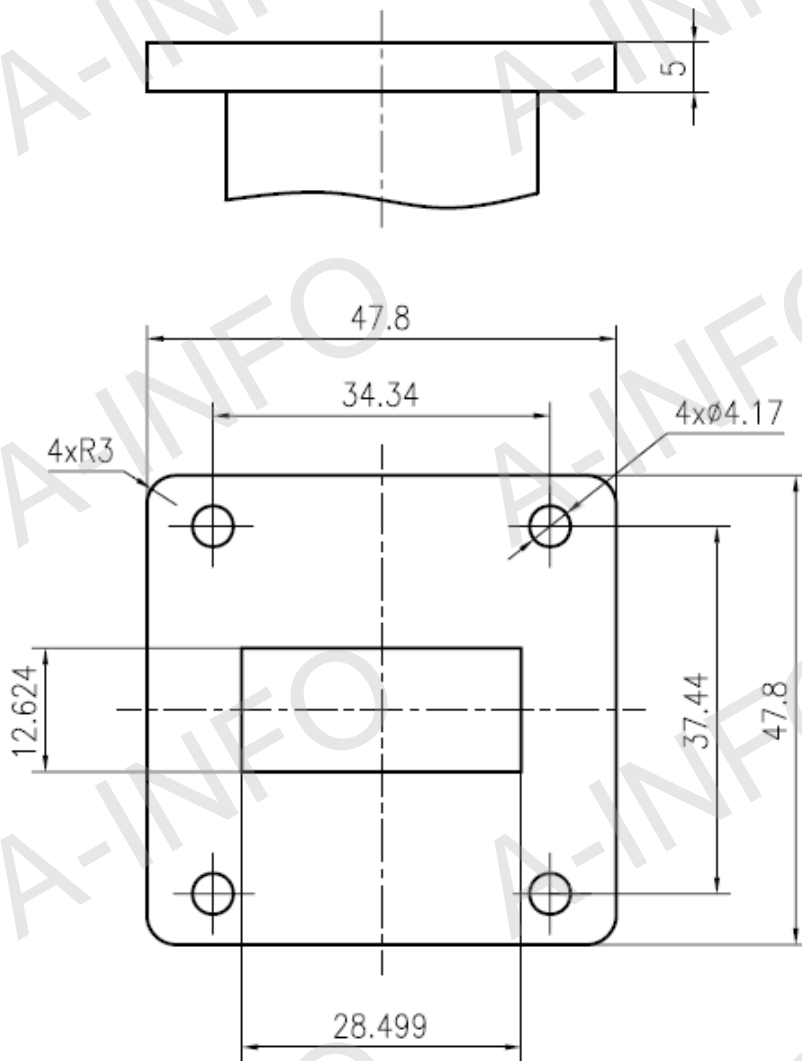


| | |
|-----------------------------|--------------|
| Frequency Range(GHz) | 7.05-10.0 |
| Waveguide | WR112 |
| Attenuation(dB) | 50 |
| Attenuation Accuracy(dB) | ±0.9 Max. |
| Attenuation Sensitivity(dB) | ±0.7 Max. |
| VSWR | 1.15 Max. |
| Average Power(W) | 425 CW |
| Peak Power(KW) | 400 |
| Flange | FBP84(UBR84) |
| Material | Al |
| Net Weight(Kg) | 2.02 Around |

Outline Drawing (Size: mm)



Flange Drawing (Size: mm)



FBP84

AINFO Inc.

Page 2 of 3

China(Beijing):
China(Chengdu):
USA :

Tel: (+86) 10-6266-7326,
Tel: (+86) 28-8519-2786,
Tel: (+1) 949-346-7326,

(+86) 10-6266-7327
(+86) 28-8519-3044
(+1) 949-639-9660

Fax: (+86) 10-6266-7379
Fax: (+86) 28-8519-3068
Fax: (+1) 949-639-9659

Website: www.ainfoinc.com
Email: sales@ainfoinc.com

Test Result

| | | | | | |
|-----|-----|--------------|--------------------|---------------|-------------------|
| CH1 | S11 | \$\Sigma\$WR | 150 m / REF 1 | 5: 1.0624 | 7.241 750 000 GHz |
| CH2 | S21 | LOG | .3 dB / REF -50 dB | 5: -49.780 dB | 9.852 500 000 GHz |
| CH3 | S21 | LOG | .3 dB / REF -50 dB | 5: -50.756 dB | 8.283 000 000 GHz |
| CH4 | S22 | \$\Sigma\$WR | 150 m / REF 1 | 5: 1.0313 | 7.758 000 000 GHz |

