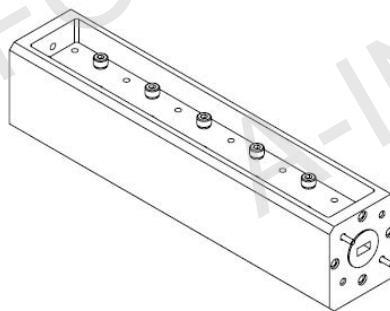
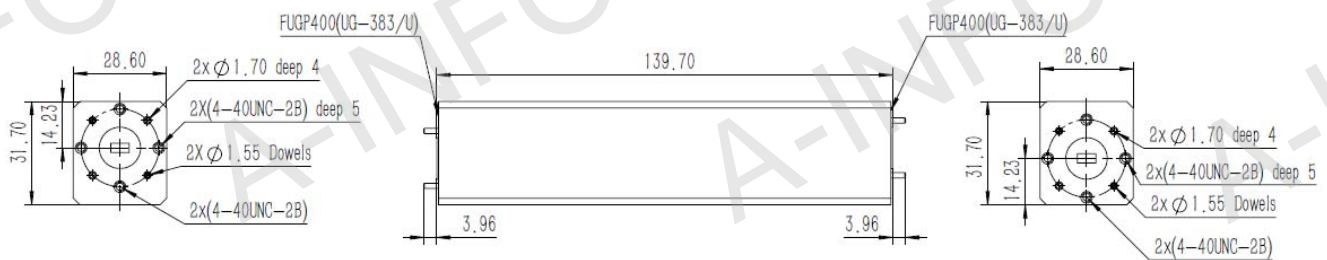


Technical Specification

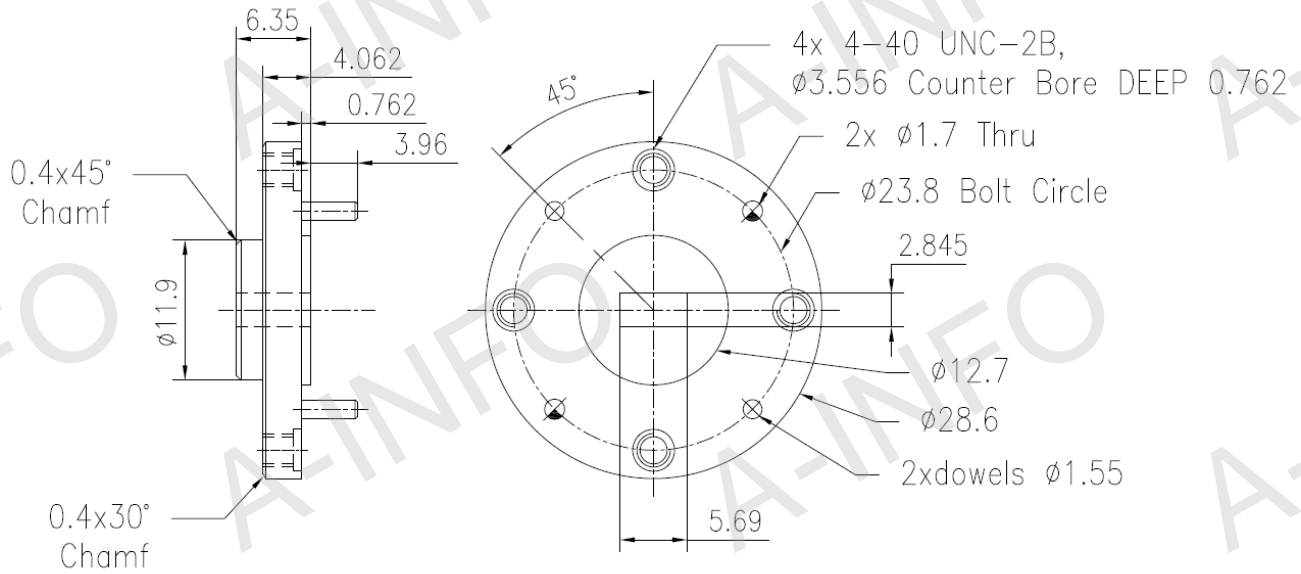


EIA WR	WR22
Frequency Range(GHz)	33.0 - 50.0
Attenuation(dB)	10
Attenuation Accuracy(dB)	±1.3 Max.
Attenuation Sensitivity(dB)	±0.9 Max.
VSWR	1.15:1 Max.
Average Power(W)	1 CW
Peak Power(KW)	0.5
Flange	FUGP400(UG-383/U)
Material	Cu
Size(mm)	139.7 x 28.6 x 31.7
Net Weight(Kg)	0.62 Around

Outline Drawing (Size: mm)



Flange Drawing (Size: mm)



FUGP400
(equivalent to UG-383/U)

Test Results

Attenuation & VSWR

