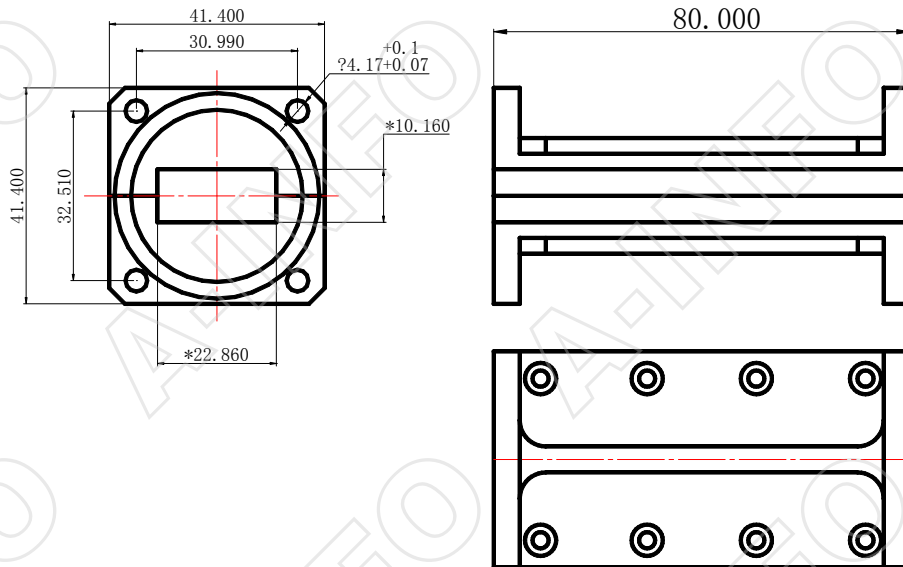


Technical Specification



EIA WR	WR90
Frequency Range(GHz)	8.2-12.4
Attenuation(dB)	10
Accuracy(dB)	±2.5 max
VSWR	1.25 max
Flange	FBM100
Power Handling(W)	5
Material	Al
Net Weight(Kg)	0.15 Around

Outline Drawing (Size: mm)



Test Results

