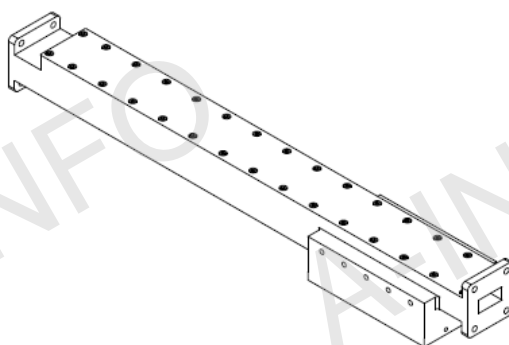
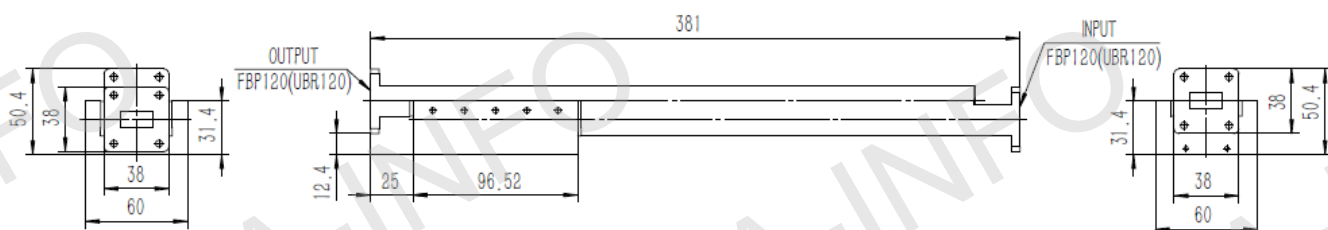


## Technical Specification

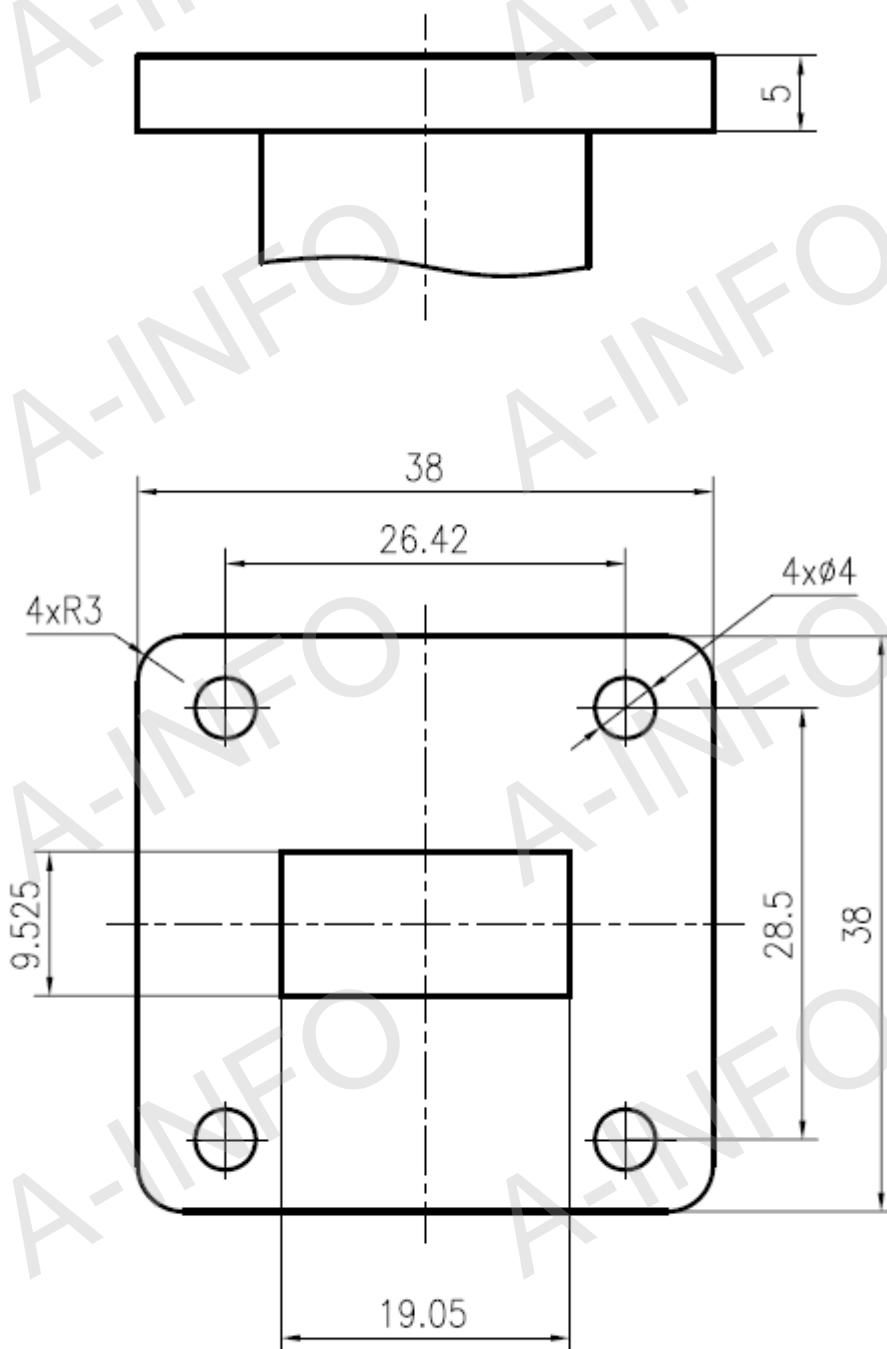


EIA WR	WR75
Frequency Range(GHz)	10.0 - 15.0
Attenuation(dB)	50
Attenuation Accuracy(dB)	±3.5 Max.
VSWR	1.25:1 Max.
Power Handling(W)	150 CW
Flange	FBP120(UBR120)
Material	Al
Size(mm)	381 x 60 x 50.4
Net Weight(Kg)	1.06 Around

## Outline Drawing (Size: mm)



## Flange Drawing (Size: mm)



FBP120

AINFO Inc.

Page 2 of 3

China(Beijing):  
China(Chengdu):  
USA :

Tel: (+86) 10-6266-7326,  
Tel: (+86) 28-8519-2786,  
Tel: (+1) 949-639-9688,

(+86) 10-6266-7327  
(+86) 28-8519-3044  
(+1) 949-639-9608

Fax: (+86) 10-6266-7379  
Fax: (+86) 28-8519-3068  
Fax: (+1) 949-639-9670

Website: [www.ainfoinc.com](http://www.ainfoinc.com)  
Email: [sales@ainfoinc.com](mailto:sales@ainfoinc.com)

## Test Results

### Attenuation & VSWR

CH1	S11	SWR	25.0 m / REF 1	5: 1.0336	13.750 000 000 GHz
CH2	S21	LOG	3.5 dB / REF -50 dB	5: -49.725 dB	10.225 000 000 GHz
CH3	S21	LOG	3.5 dB / REF -50 dB	5: -50.175 dB	14.550 000 000 GHz
CH4	S22	SWR	25.0 m / REF 1	5: 1.0413	10.200 000 000 GHz

