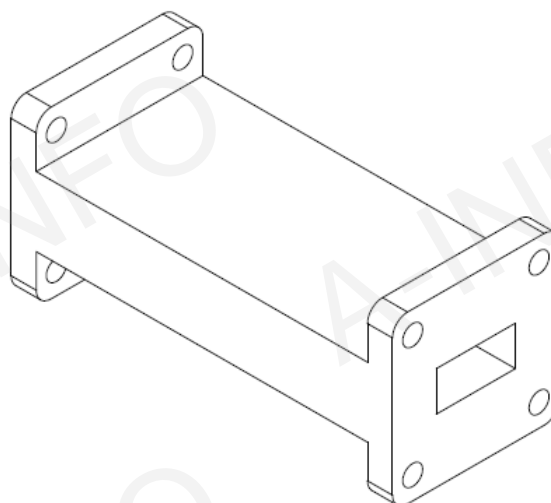
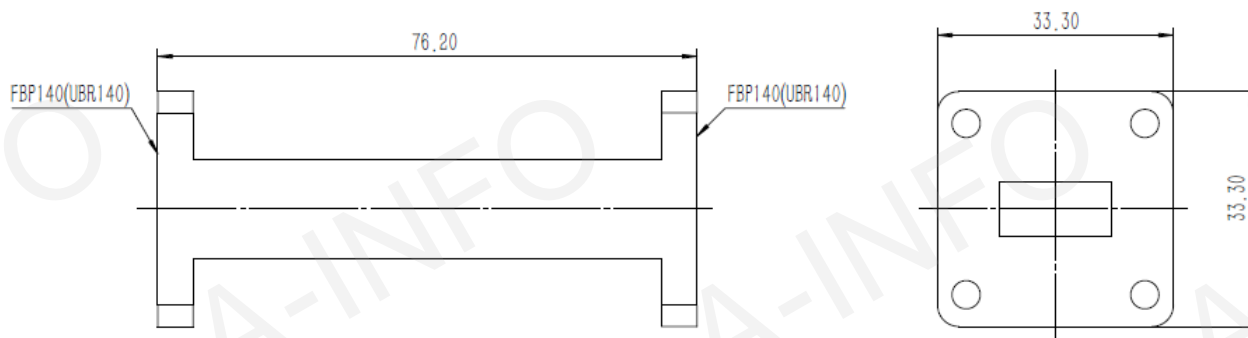


Technical Specification

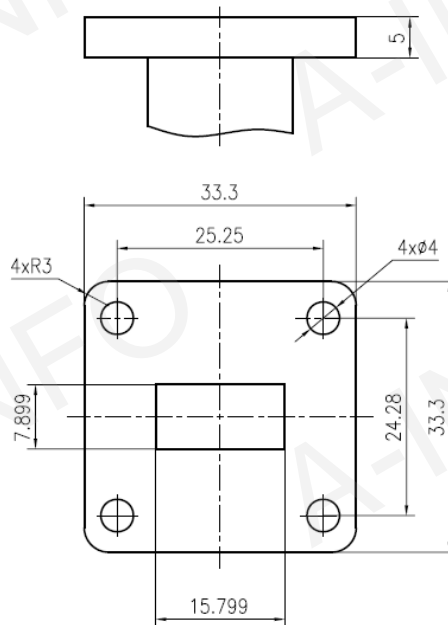


| | |
|----------------------|----------------|
| EIA WR | WR62 |
| Frequency Range(GHz) | 12.4-18.0 |
| Attenuation(dB) | 20 |
| Accuracy(dB) | ±2.0 Max. |
| VSWR | 1.25 Max. |
| Flange | FBP140(UBR140) |
| Power Handling(W) | 1 |
| Material | Cu |
| Net Weight(Kg) | 0.26 Around |

Outline Drawing (Size: mm)



Flange Drawing (Size: mm)



FBP140

Test Results

