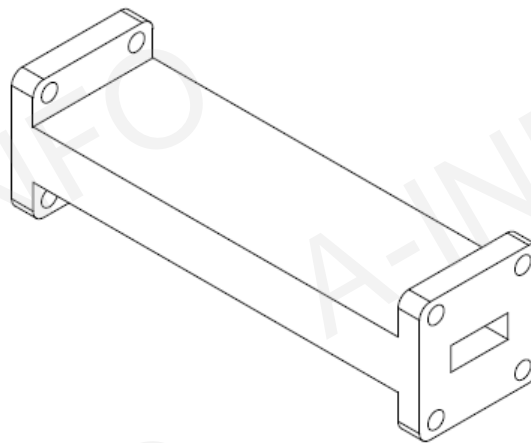
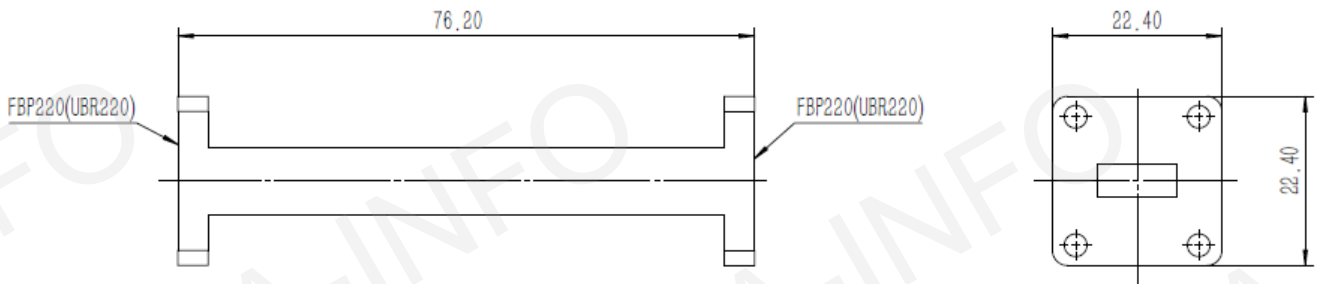


Technical Specification

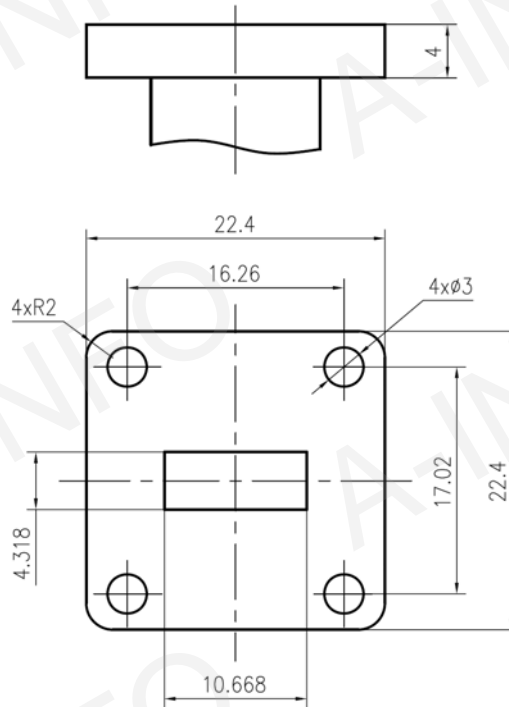


| | |
|----------------------|----------------|
| EIA WR | WR42 |
| Frequency Range(GHz) | 18.0-26.5 |
| Attenuation(dB) | 20 |
| Accuracy(dB) | ±2 Max. |
| VSWR | 1.25 Max. |
| Flange | FBP220(UBR220) |
| Power Handling(W) | 1 |
| Material | Cu |
| Net Weight(Kg) | 0.1 Around |

Outline Drawing (Size: mm)



Flange Drawing (Size: mm)



FBP220

Test Results

