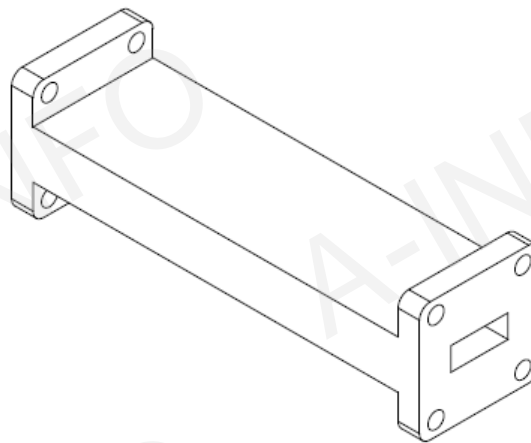
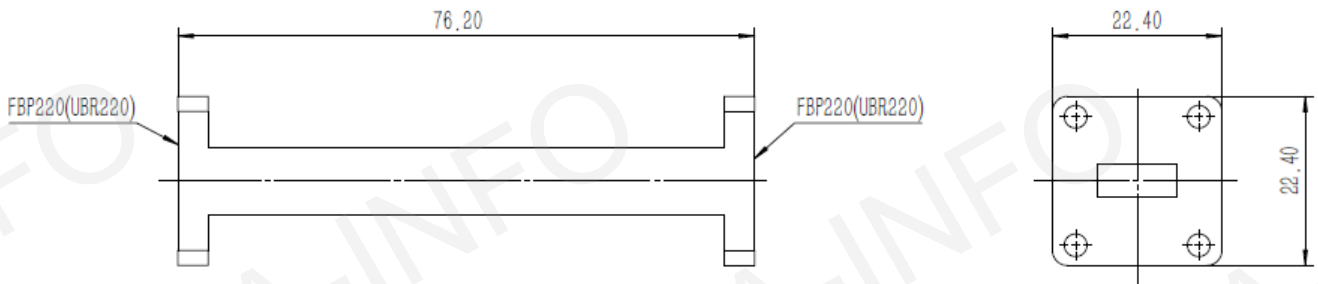


Technical Specification

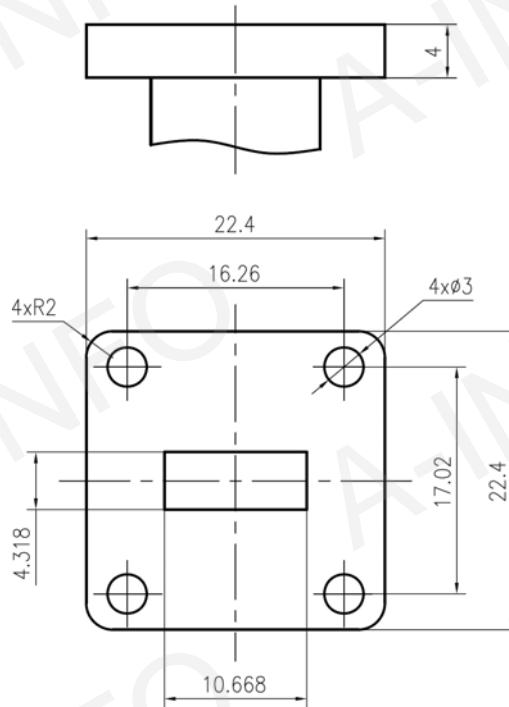


EIA WR	WR42
Frequency Range(GHz)	18.0-26.5
Attenuation(dB)	10
Accuracy(dB)	±1.5 Max.
VSWR	1.25 Max.
Flange	FBP220(UBR220)
Power Handling(W)	1
Material	Cu
Net Weight(Kg)	0.1 Around

Outline Drawing (Size: mm)



Flange Drawing (Size: mm)



FBP220

Test Results

CH	SWR	dB	REF	Value	Freq
CH1	S11	SWR	250 m / REF 1	5: 1.0846	20.252 500 000 GHz
CH2	S21	LOG	1.5 dB / REF -10 dB	5: -9.4500 dB	26.457 500 000 GHz
CH3	S21	LOG	1.5 dB / REF -10 dB	5: -11.212 dB	18.000 000 000 GHz
CH4	S22	SWR	250 m / REF 1	5: 1.0455	22.505 000 000 GHz

