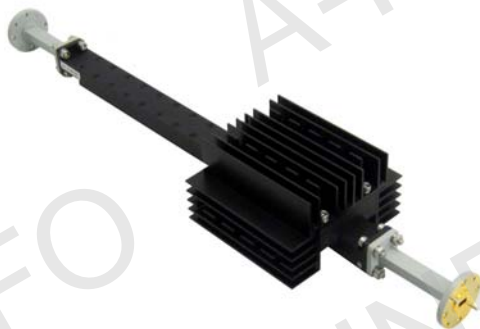
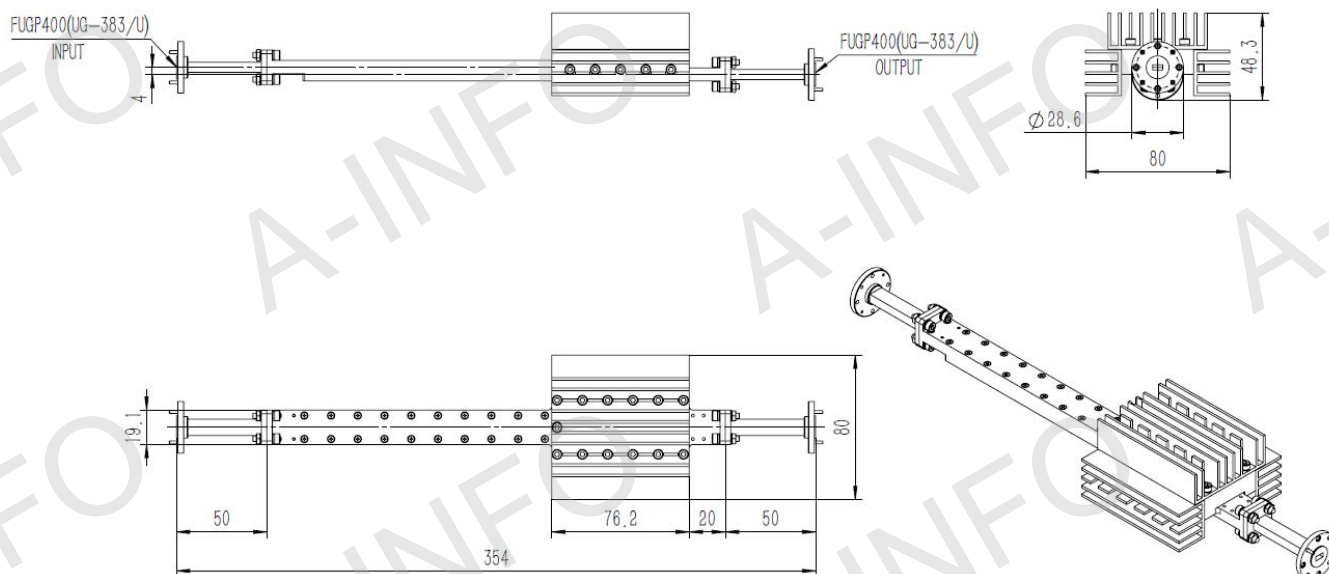


Technical Specification

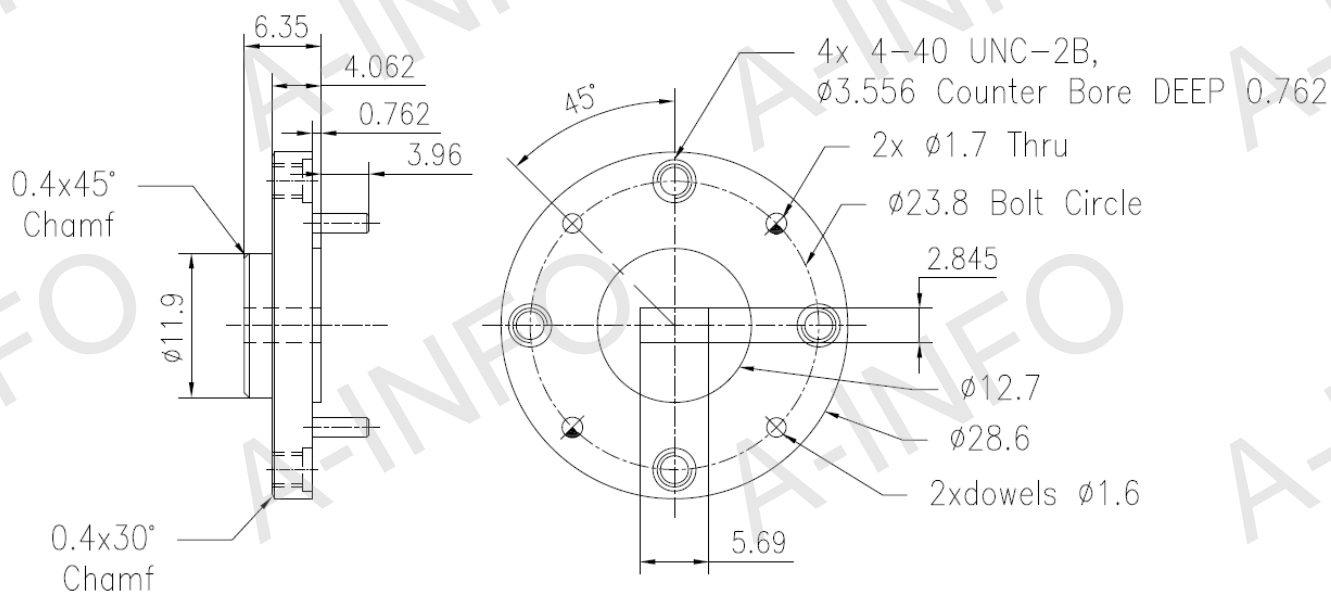


EIA WR	WR22
Frequency Range(GHz)	33.0 - 50.0
Attenuation(dB)	20
Attenuation Accuracy(dB)	±2 Max.
VSWR	1.2:1 Max.
Power Handling(W)	100 CW
Flange	FUGP400(UG-383/U)
Material	Al
Size(mm)	354 x 80 x 48.3
Net Weight(Kg)	0.45 Around

Outline Drawing (Size: mm)



Flange Drawing (Size: mm)



FUGP400
(equivalent to UG-383/U)

Test Result

Attenuation & VSWR

