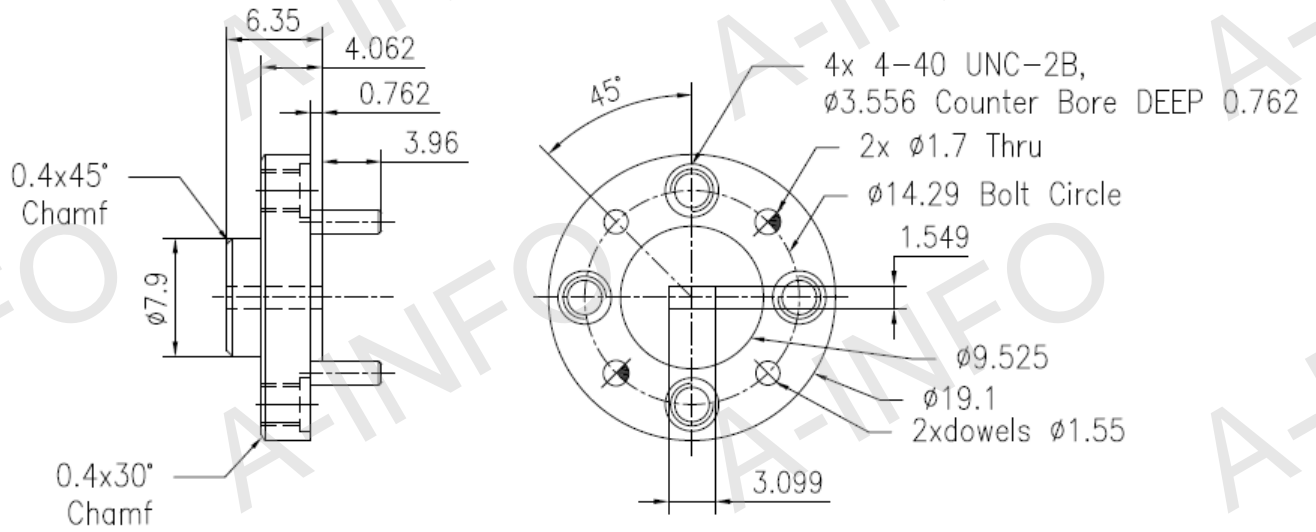




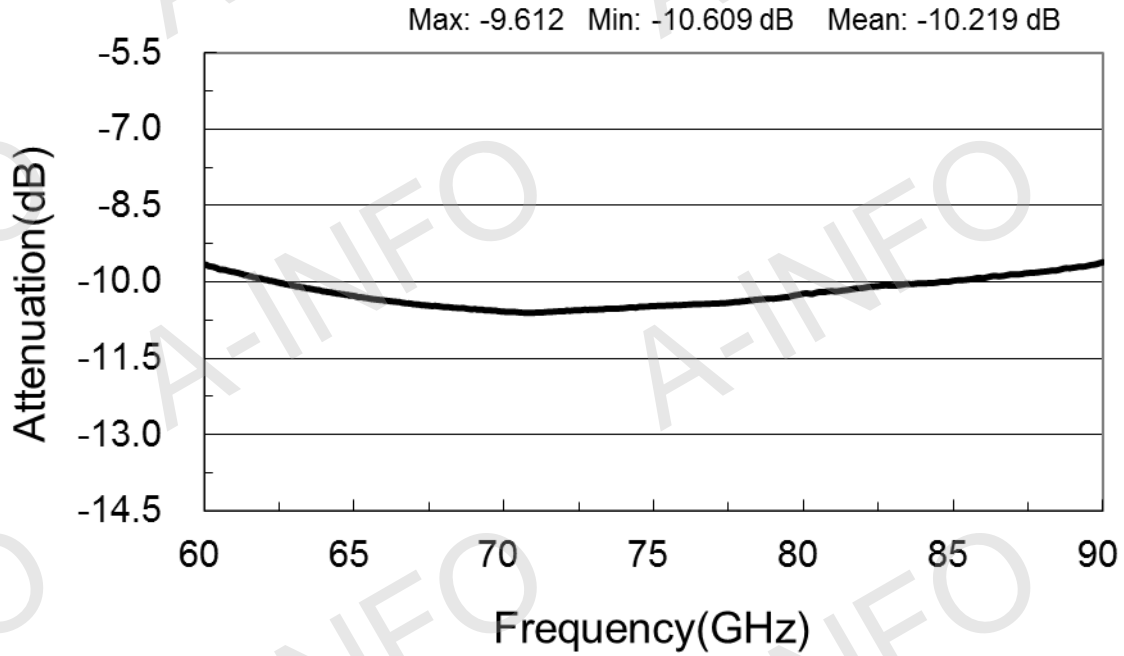
## Flange Drawing (Size: mm)



FUGP740  
(equivalent to UG-387/U)

## Test Results

### Attenuation



### VSWR

