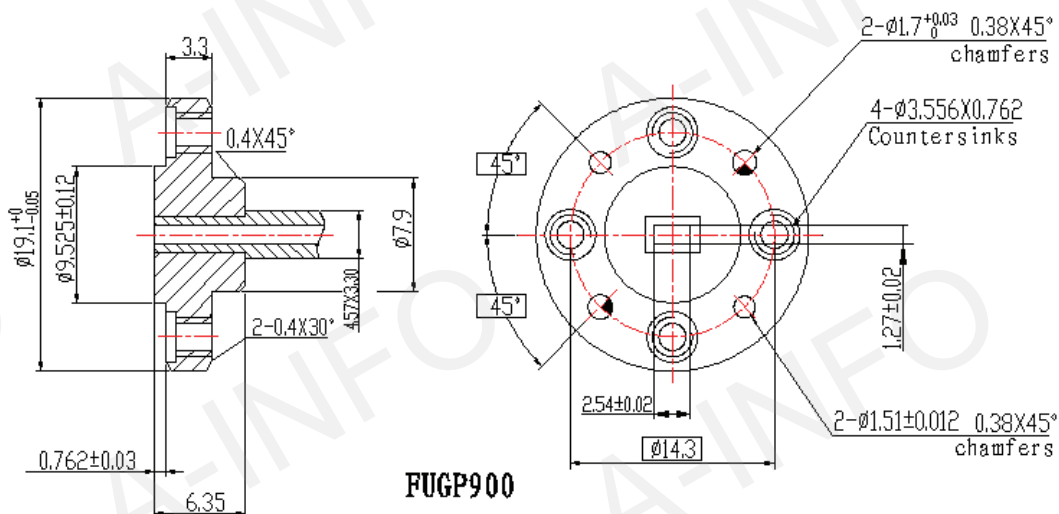


## Flange Drawing (Size: mm)



## Test Results Table

Item	Technical Specification	Test Results
Frequency(GHz)	75-110	75-110
Attenuation(dB)	10±2	9.0-11.2
VSWR	1.20 max	1.15 max
Power(W)	0.5	0.5
Waveguide	WR10	WR10
Flange	FUGP900	FUGP900
Material	Cu	Cu