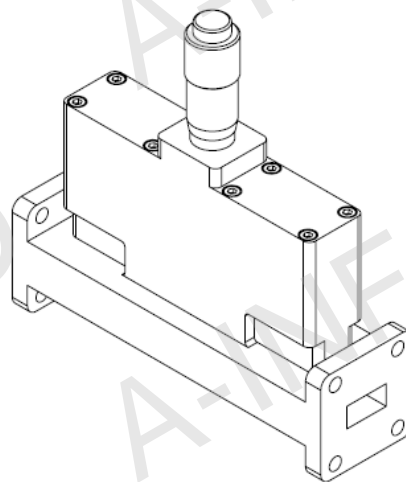
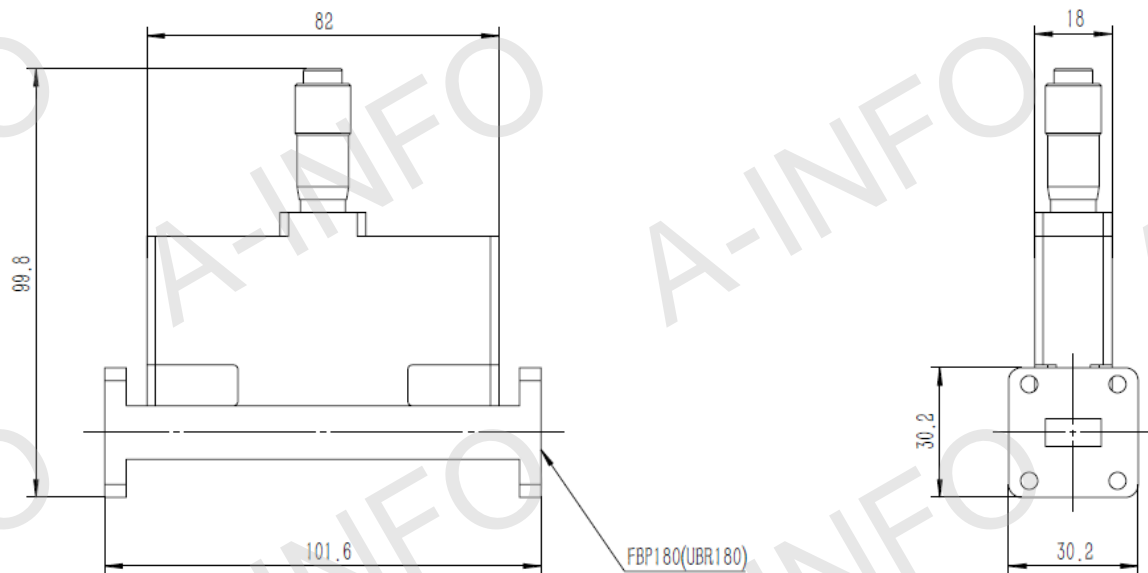


## Technical Specification



EIA WR	WR51
Frequency Range(GHz)	15.0-22.0
Attenuation(dB)	0-30
Accuracy(dB)	±1.2
Insertion Loss(dB)	0.2 Max.
VSWR	1.25:1 Max.
Average Power(W)	1 CW
Flange	FBP180(UBR180)
Material	Al
Size(mm)	101.6 x 30.2 x 99.8
Net Weight(Kg)	0.25 Around

## Outline Drawing (Size: mm)



AINFO Inc.

Page 1 of 3

China(Beijing):  
China(Chengdu):  
USA :

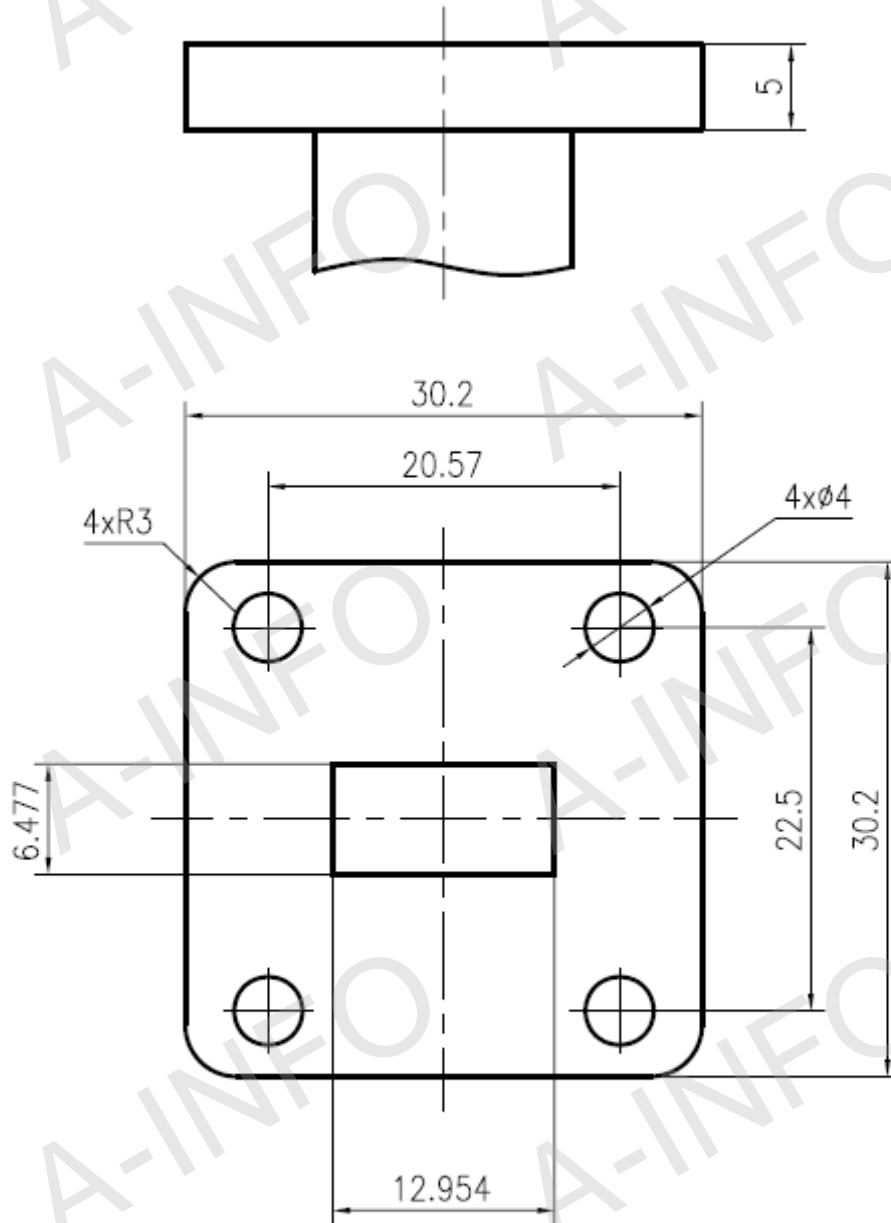
Tel: (+86) 10-6266-7326,  
Tel: (+86) 28-8519-2786,  
Tel: (+1) 949-639-9688,

(+86) 10-6266-7327  
(+86) 28-8519-3044  
(+1) 949-639-9608

Fax: (+86) 10-6266-7379  
Fax: (+86) 28-8519-3068  
Fax: (+1) 949-639-9670

Website: [www.ainfoinc.com](http://www.ainfoinc.com)  
Email: [sales@ainfoinc.com](mailto:sales@ainfoinc.com)

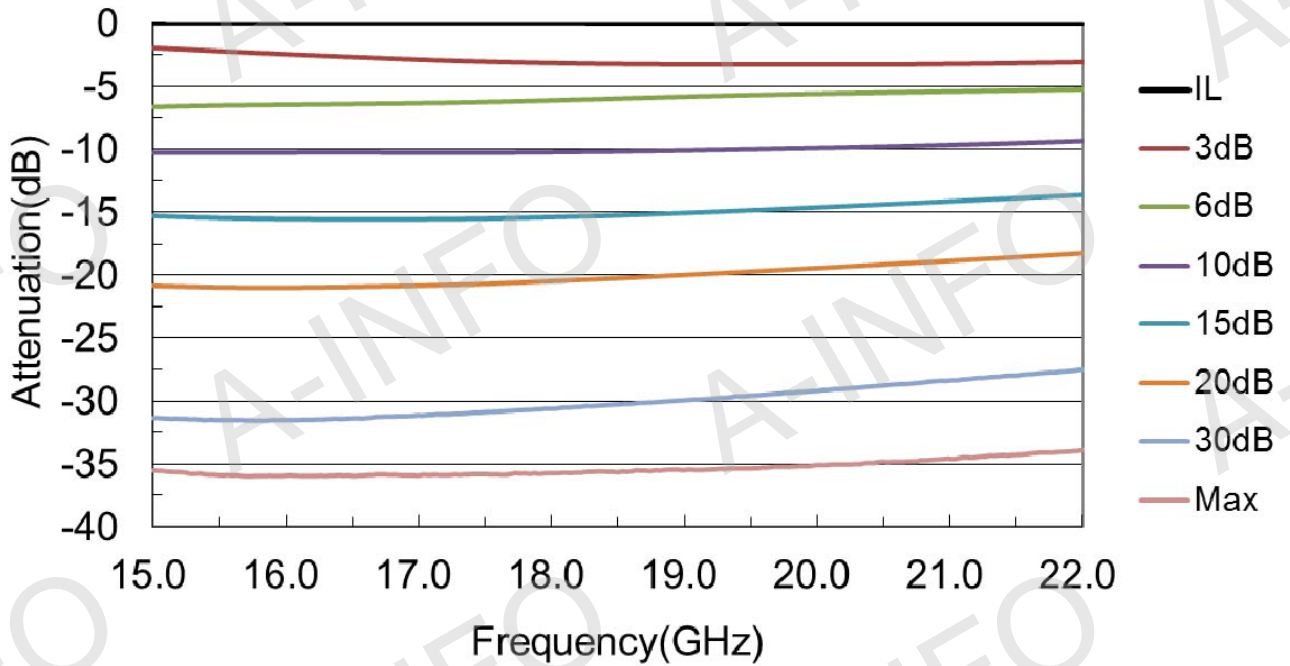
## Flange Drawing (Size: mm)



FBP180

## Test Results

Attenuation



I.L. & VSWR

