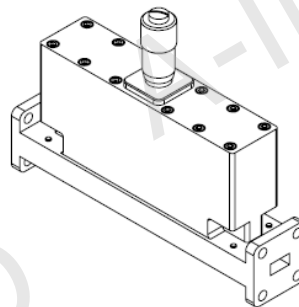
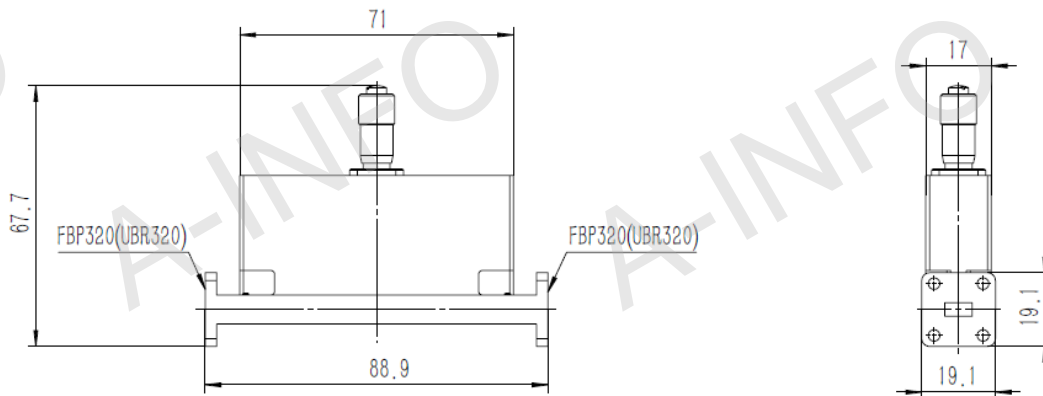


Technical Specification

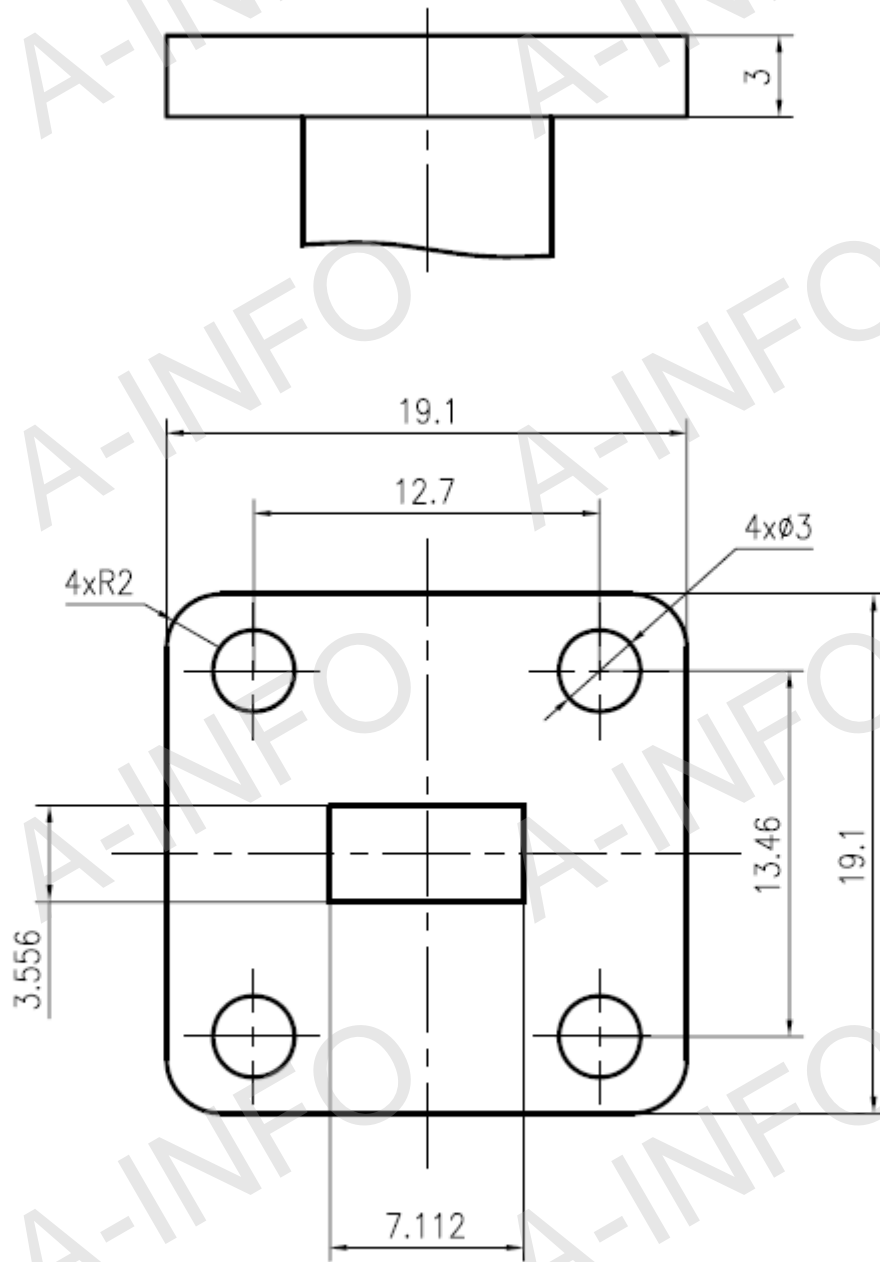


EIA WR	WR28
Frequency Range(GHz)	26.5 - 40.0
Attenuation(dB)	0 - 30
Insertion Loss(dB)	0.3 Max.
VSWR	1.25:1 Max.
Average Power(W)	1.0 CW
Flange	FBP320(UBR320)
Material	Cu
Size(mm)	88.9 x 19.1 x 67.7
Net Weight(Kg)	0.3 Around

Outline Drawing (Size: mm)



Flange Drawing (Size: mm)



FBP320

AINFO Inc.

Page 2 of 3

China(Beijing):
China(Chengdu):
USA :

Tel: (+86) 10-6266-7326,
Tel: (+86) 28-8519-2786,
Tel: (+1) 949-639-9688,

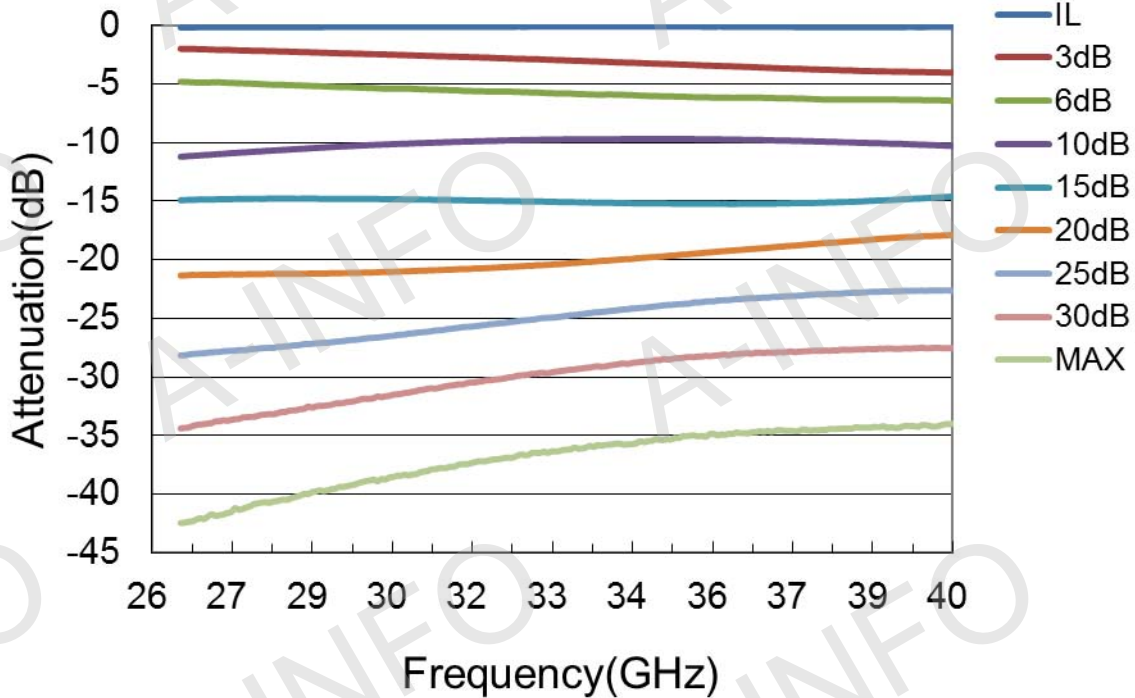
(+86) 10-6266-7327
(+86) 28-8519-3044
(+1) 949-639-9608

Fax: (+86) 10-6266-7379
Fax: (+86) 28-8519-3068
Fax: (+1) 949-639-9670

Website: www.ainfoinc.com
Email: sales@ainfoinc.com

Test Results

Attenuation



I.L. & VSWR

